

# 2 WIRE DOOR ENTRY SYSTEM



NEW AUDIO  
SOLUTION  
ON TWO WIRE  
TECHNOLOGY



# 2 wire system

## The simplest and fastest

Thanks to the wiring solution using 2 non-polarised wires

Connection becomes simpler, error proof, and quicker in all parts of the system.



SPRINT L2 - handset

# solution



LINEA 100 - entrance panel



Remove the old entrance panel being replaced.

Use the two cables already present to install the new entrance panel.

## Big advantages in refurbishing

Thanks to the possibility of using the existing cables, it represents the ideal solution when refurbishing existing systems.

## Expandable for video function

The audio door entry system installed can later be expanded and transformed into a video door entry system **without the need for additional work.**

The cables used for the door entry system will still be used in the new system.



**Note:** the 2 wire system is also the ideal solution when a combined audio/video system is required

# A BASIC AND COMPLETE RANGE

## Handset - SPRINT L2



1. Modern and simple design



2. Three door bell volume levels



3. Two pushbuttons:  
- Door lock function  
- Free for applications (e.g. external light)

## Entrance panels - LINEA 100

Two versions: direct call and digital call

The direct call entrance panel is available both in the 4 and in the 8 apartments version



**STRONG AND DURABLE, THANKS TO THE METAL CASE**

**ACCESS CONTROL FUNCTION (ONLY AVAILABLE WITH THE DIGITAL CALL VERSION)**

Minimum protrusion from the wall

# CATALOGUE AND DIMENSIONAL DATA



343100



343101





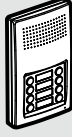
343102




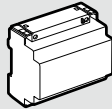
344242

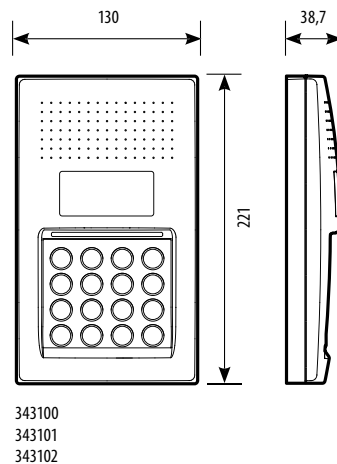
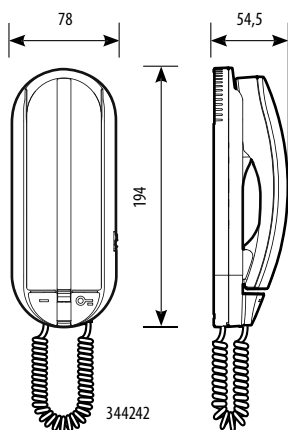


346040

| Item   | ENTRANCE PANEL - LINEA 100  |
|--|---|
| <b>343100</b><br>   | <p>2 WIRE AUDIO digital call pushbutton panel for wall mounted installation. The device consists in a pushbutton panel with 16 keys and a digital display for the display of the operating status. Through the recognition of previously saved numerical (SCS addresses) or alphanumerical codes (logic addresses), it can be used to call handsets, and to give residents the possibility of opening the door lock using a dedicated numerical code.</p> <p>The pushbutton panel can manage up to 4000 handset addresses (from 0 to 3999), and the direct call to the 2 WIRE switchboard. It has an internal contact (C – NO – NC) for connection of an electrical door lock, or an external actuator (for the powering of the electrical door lock use an auxiliary transformer, item 336842). Connection (PL) for a local door lock release pushbutton. System power supply cuts do NOT cause the loss of memory data.</p> |
| <b>343101</b><br> | <p>2 wire audio pushbutton panel with 4 pushbuttons for wall mounted installation. It has an internal contact (C – NO – NC) for the connection of an electrical door lock or an external actuator. Connection (PL) for a local door lock release pushbutton.</p>  |
| <b>343102</b><br> | <p>2 wire audio pushbutton panel with 8 pushbuttons for wall mounted installation. It has an internal contact (C – NO – NC) for the connection of an electrical door lock, or an external actuator. Connection (PL) for a local door lock release pushbutton.</p>   |

| Item   | AUDIO HANDSET - SPRINT L2  |
|--|--|
| <b>344242</b><br> | <p>2 WIRE handset that CANNOT be fitted with accessories, wall mounted installation. It has a door lock release pushbutton, and a pushbutton that can be configured for auxiliary functions (staircase lights switching on, activation of the entrance panel, call to the switchboard). If installed in video, or combined audio/video systems, as the last apartment line or riser device, it must include a line termination, item 3499, with IN-OUT connection on the handset itself. The bell volume can be adjusted to three different levels using the appropriate selector.</p> |

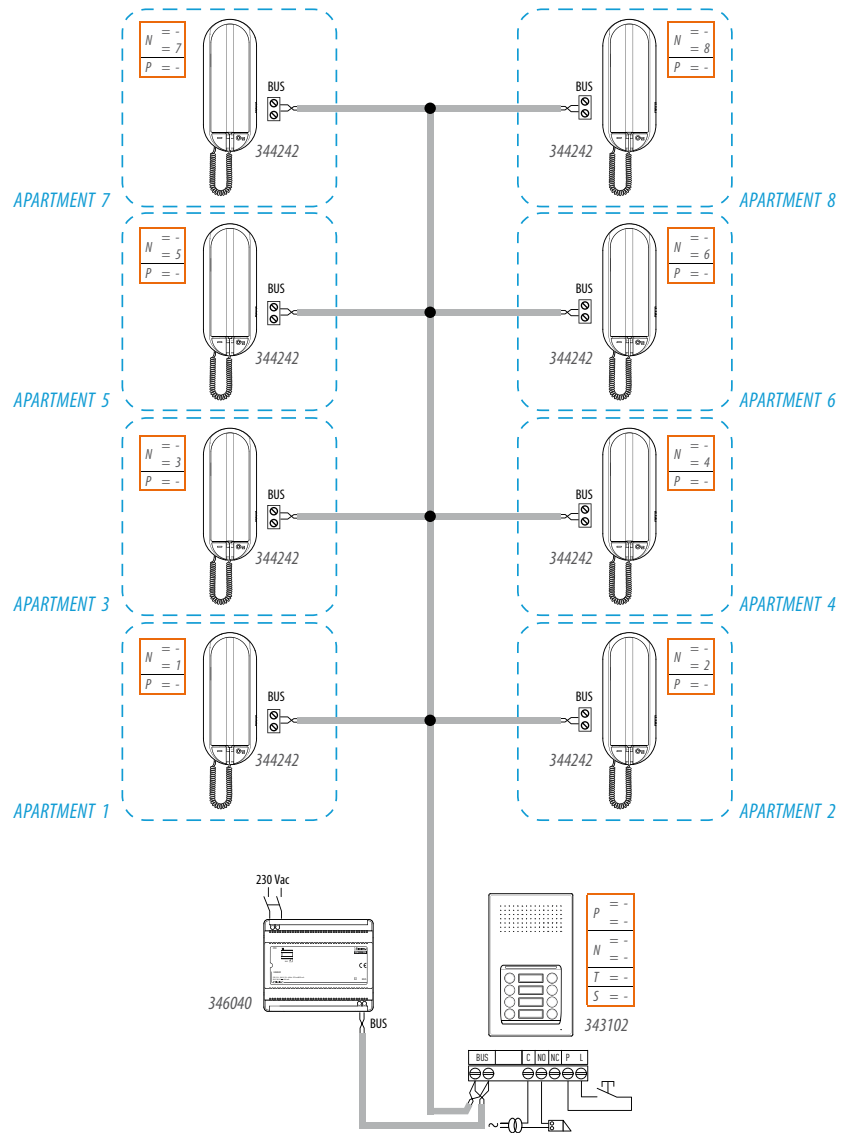
| Item   | POWER SUPPLY   |
|--|--|
| <b>346040</b><br> | <p>2-WIRE audio system power supply with 6 DIN modular housing. Power supply 110 - 230 Vac @ 50-60 Hz. The output provides 26 Vdc continuous low voltage, with maximum current of 600 mA. It is electronically protected against overload and short circuit by means of an integrated fuse (NOT REPLACEABLE). It's a SELV double insulation safety device. Operating temperature 5 to 45°C. The device must be installed in compliance with current regulations.</p> |



# WIRING DIAGRAMS

## Audio system with 8 apartments

| REF.   | DESCRIPTION                     |
|--------|---------------------------------|
| 344242 | SPRINT L2 handset               |
| 346040 | Power supply                    |
| 343102 | EP with 8 pushbuttons LINEA 100 |



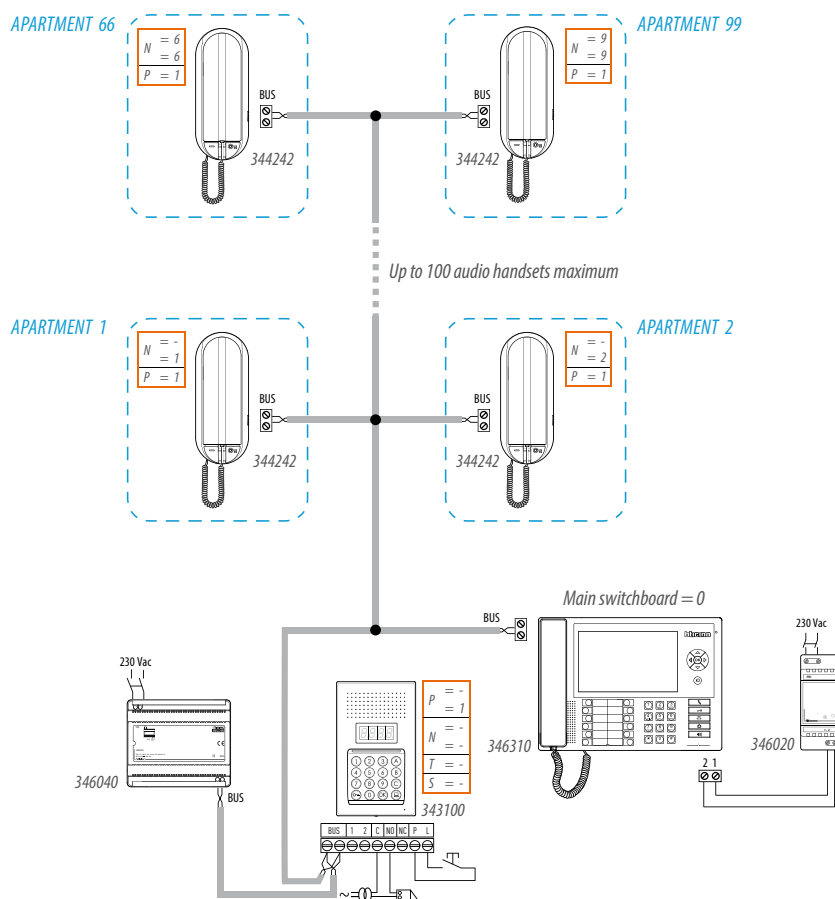
SPRINT L2 - handset



LINEA 100 - entrance panel

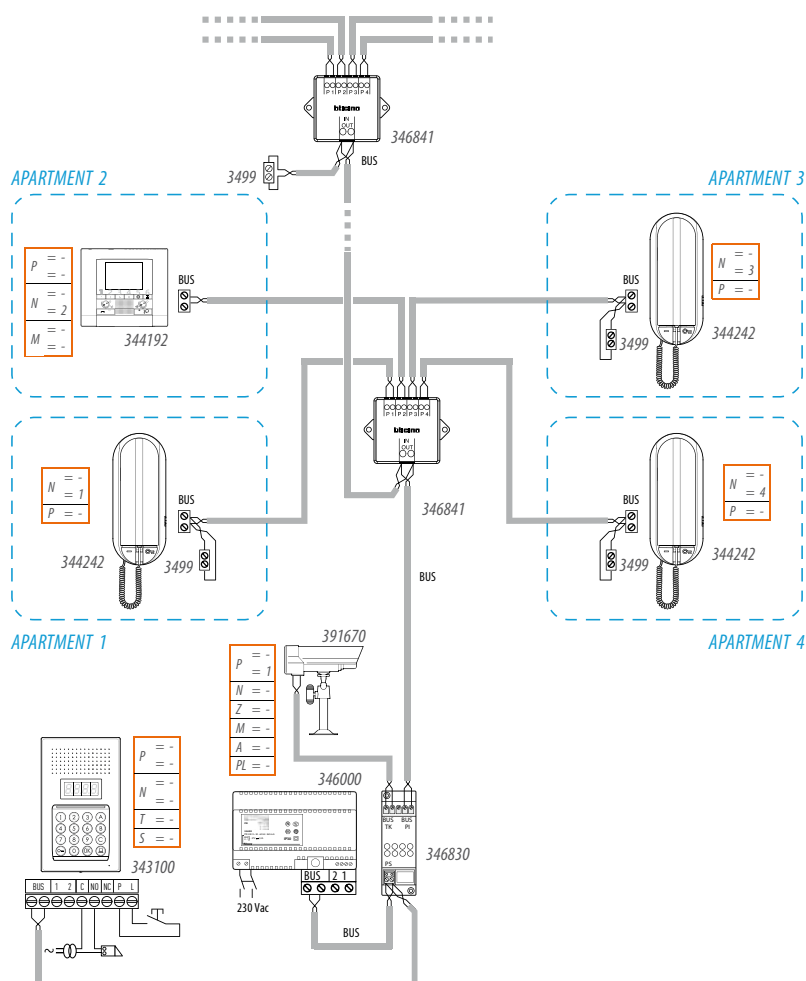
# Audio system with 100 apartments maximum and switchboard

| REF.   | DESCRIPTION                 |
|--------|-----------------------------|
| 344242 | SPRINT L2 handset           |
| 346040 | Power supply                |
| 343100 | Numerical call EP LINEA 100 |
| 346310 | Switchboard                 |
| 346020 | Additional power supply     |



# Audio system with presetting for subsequent conversion into a video system

| REF.   | DESCRIPTION               |
|--------|---------------------------|
| 344242 | SPRINT L2 handset         |
| 346000 | Power supply              |
| 343100 | Digital call EP LINEA 100 |
| 346830 | Video adapter             |
| 346841 | Floor shunt               |
| 3499   | Line termination          |
| 391670 | 2 WIRE outdoor camera     |
| 344192 | POLYX video handset       |



**BTicino** SpA  
Via Messina, 38  
20154 Milano - Italia  
www.bticino.com

AD-EXCM12DFAE/C/GB Edition 9/2012

BTicino SpA reserves at any time the right to modify the contents of this booklet and to communicate, in any form and modality, the changes brought to the same.